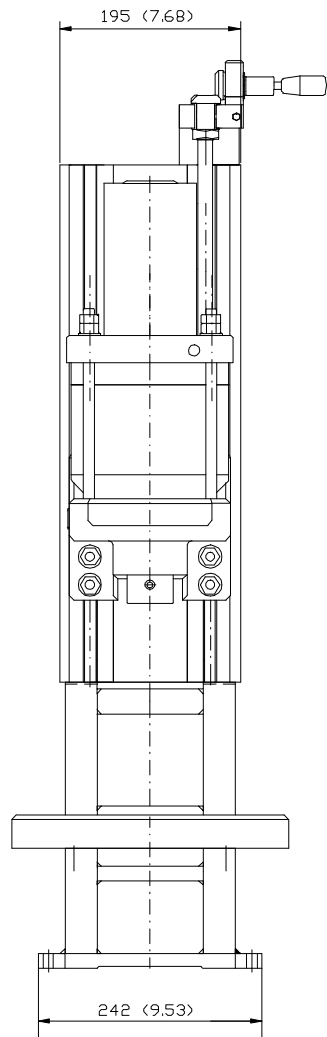


**Presse Nr. 29-1K Arbeitshöhe 150-500mm**  
**Press No. 29-1K working height 150-500mm**

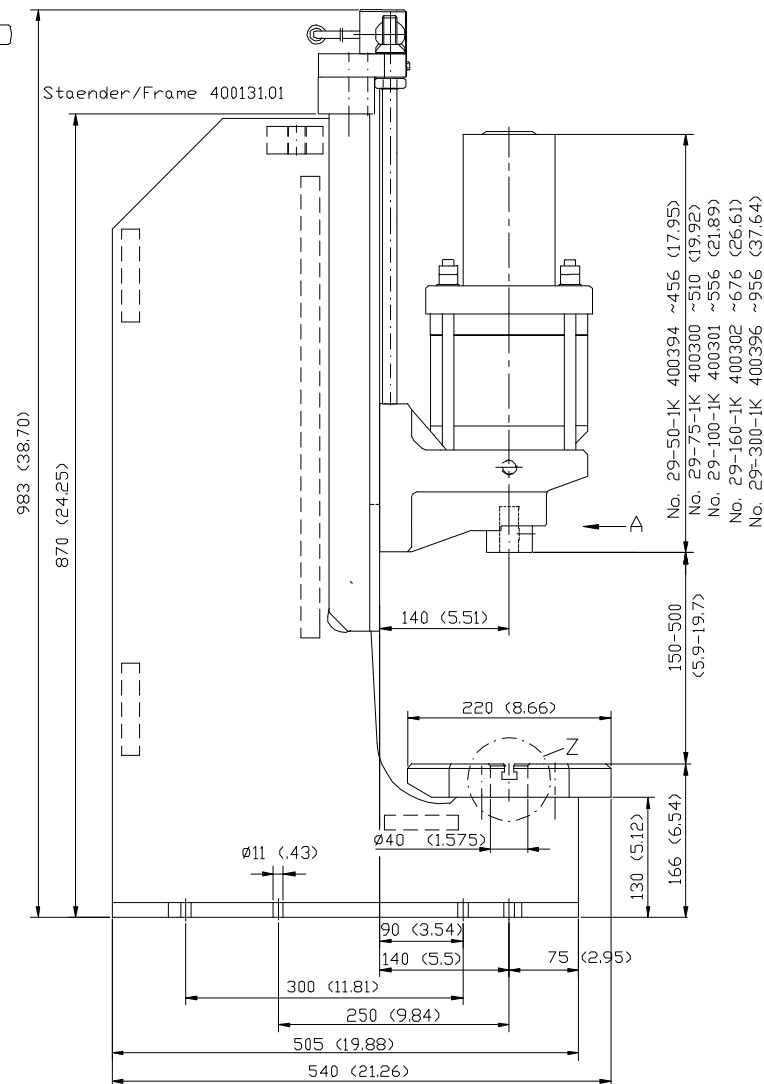
Maßblatt / Dimensions



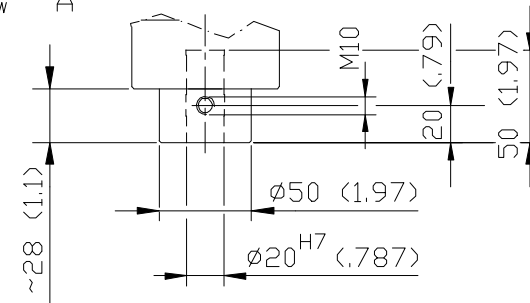
Frontansicht  
Front view



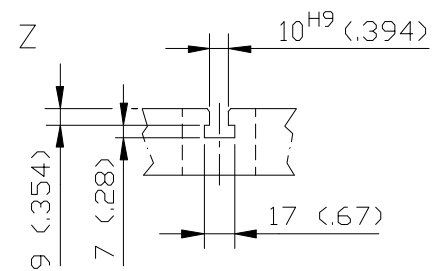
Seitenansicht  
Side view



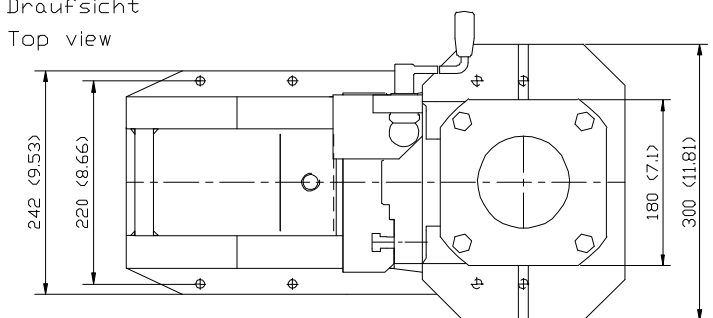
Ansicht A  
View A



Ausschnitt Detail Z  
Detail Z



Draufsicht  
Top view



Dimensions in paranthesis valid for US-versions only.  
 10H9 (.394 +.0016-.000)  
 20H7 (.787 +.0008-.000)  
 40H7 (1.575 +.001-.000)

special ram hole upon request, for example Ø5/8"