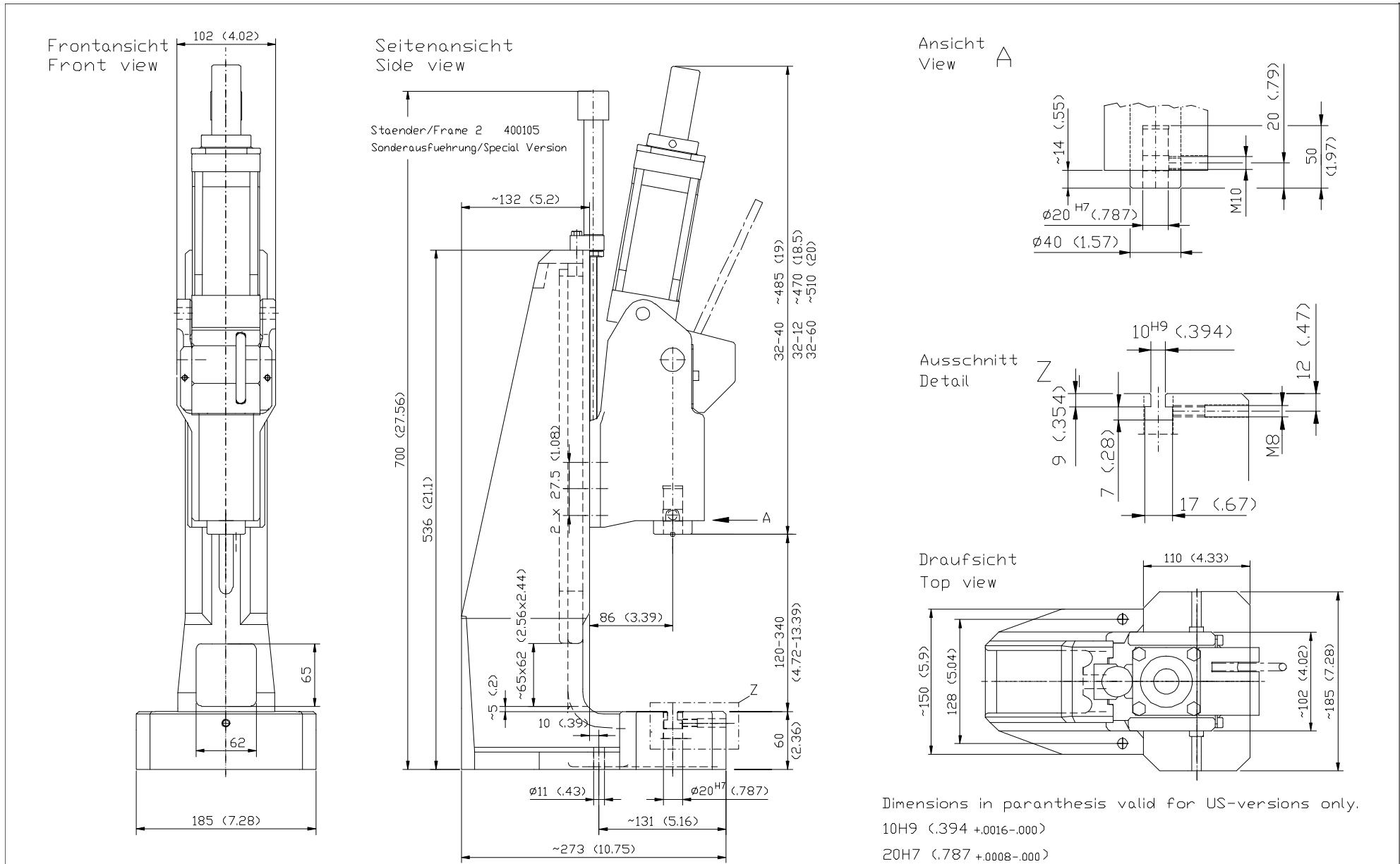


**Presse Nr. 32** Arbeitshöhe 120-340mm (Ständer-Abmessungen für Sonderarbeitshöhen gesondert anfordern)  
**Press No. 32** working height 120-340mm (measurements for special working heights upon request)



Maßblatt / Dimensions



special ram hole upon request, for example  $\varnothing 5/8"$

Dimensions in paranthesis valid for US-versions only.  
 10H9 (.394 +.0016-.000)  
 20H7 (.787 +.0008-.000)